

MEMORANDUM

TO: Programs, Projects and Operations Subcommittee

FROM: Martin P. Cleveland, Construction Engineer

SUBJECT: Little Papio Channel Project – Drainage Project (Maple to Pratt Street)

DATE: November 2, 2006

On October 19, 2006, bids were opened for the referenced project. A bid summary is attached for your consideration. The apparent low bidder is Dostals Construction Company, Inc., with a bid of \$33,179. Local runoff has created gullies on the channel slope and subsequently started undermining the adjacent Keystone Trail. This project is designed to intercept local runoff with a concrete flume and outlet water into four drainage structures that drain into Little Papio Creek. Major project components are construction of a 900 linear feet concrete flume, construction of two area inlets, replacement of removed trail and installation erosion control measures on disturbed areas (blankets, seeding). Attached are some project drawings.

This work will be funded via Project Maintenance General Contract work (Account 0103124479) and as of October 6, 2006, there is \$284,043 left in this account.

It is Management's recommendation that the Subcommittee recommend to the Board of Directors that the Acting General Manager be authorized to execute a contract for construction of Little Papio Channel Drainage Project with Dostals Construction Company, Inc., for their total base bid of \$33,179.

MEMORANDUM

TO: Programs, Projects and Operations Subcommittee
FROM: Martin P. Cleveland, Construction Engineer
SUBJECT: Little Papio Channel Project – Drainage Project (Maple to Pratt Street)
DATE: November 2, 2006

On October 19, 2006, bids were opened for the referenced project. A bid summary is attached for your consideration. The apparent low bidder is Dostals Construction Company, Inc., with a bid of \$33,179. Local runoff has created gullies on the channel slope and subsequently started undermining the adjacent Keystone Trail. This project is designed to intercept local runoff with a concrete flume and outlet water into four drainage structures that drain into Little Papio Creek. Major project components are construction of a 900 linear feet concrete flume, construction of two area inlets, replacement of removed trail and installation erosion control measures on disturbed areas (blankets, seeding). Attached are some project drawings.

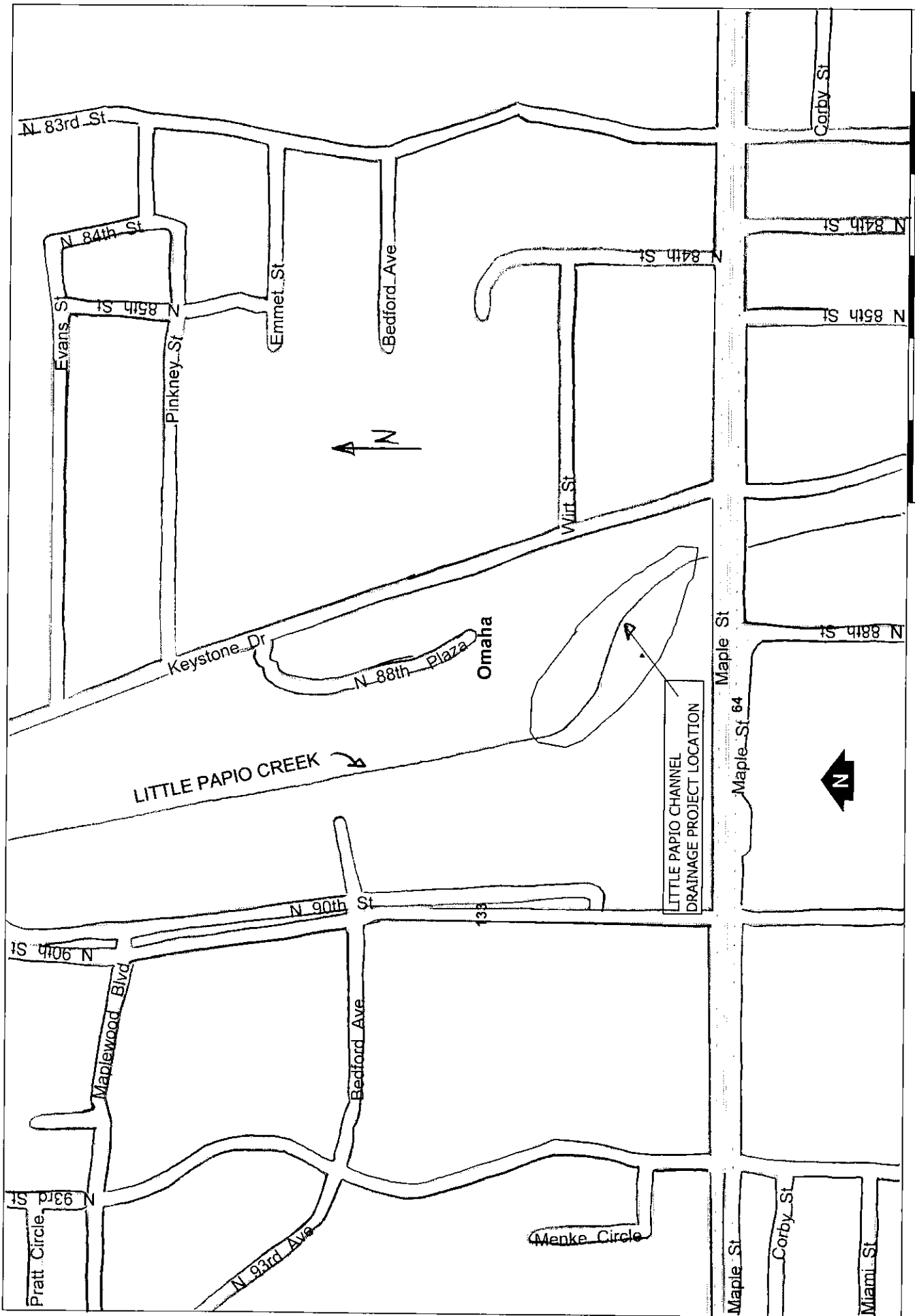
This work will be funded via Project Maintenance General Contract work (Account 0103124479) and as of October 6, 2006, there is \$284,043 left in this account.

It is Management's recommendation that the Subcommittee recommend to the Board of Directors that the Acting General Manager be authorized to execute a contract for construction of Little Papio Channel Drainage Project with Dostals Construction Company, Inc., for their total base bid of \$33,179.

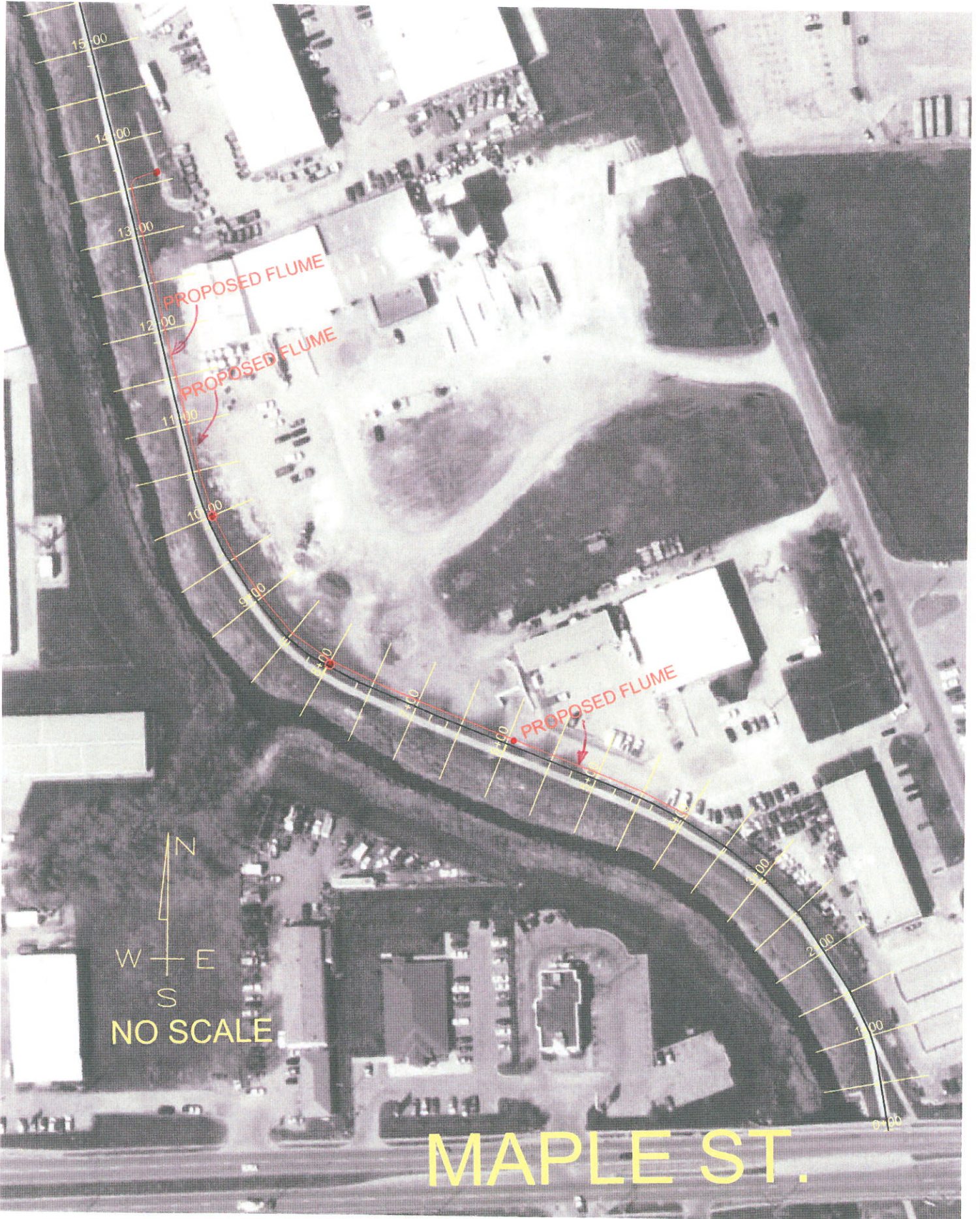
Little Papio Channel - Drainage Project (Maple to Pratt Street)
 Bid Opening
 October 19, 2006 at 10:00 a.m.

ITEM NO.	BID ITEM DESCRIPTION	ESTIMATED QUANTITIES	UNITS	NAVARRO ENTERPRISE		DOSTALS CONSTRUCTION		TOTAL AMOUNT	UNIT PRICE	TOTAL AMOUNT
				UNIT PRICE	TOTAL AMOUNT	UNIT PRICE	TOTAL AMOUNT			
1	Mobilization	1	LS	\$2,000.00	\$2,000.00	\$500.00	\$500.00			
2	Clearing and Grubbing	1	LS	\$3,500.00	\$3,500.00	\$1,000.00	\$1,000.00			
3	Earthwork, Excavation	280	CY	\$12.00	\$3,360.00	\$15.00	\$4,200.00			
4	Subgrade Preparation	93	CY	\$12.00	\$1,116.00	\$3.00	\$279.00			
5	6" Concrete Class 47B-3000 Trail	80	SY	\$54.00	\$4,320.00	\$36.00	\$2,880.00			
6	Concrete Flume	290	SY	\$52.00	\$15,080.00	\$53.00	\$15,370.00			
7	Seeding	1,800	SY	\$0.45	\$810.00	\$1.00	\$1,800.00			
8	Erosion Control Blanket	1,800	SY	\$2.75	\$4,950.00	\$1.75	\$3,150.00			
9	Area Inlets	2	LS	\$1,700.00	\$3,400.00	\$2,000.00	\$4,000.00			
		TOTAL BID (1 TO 9)			\$38,536.00		\$33,179.00*			
EXCEPTIONS:					None		None			
LS=LUMP SUM										
CY=CUBIC YARDS										
SY=SQUARE YARD * Staff Recommendation										

LITTLE PAPIO DRAINAGE PROJECT

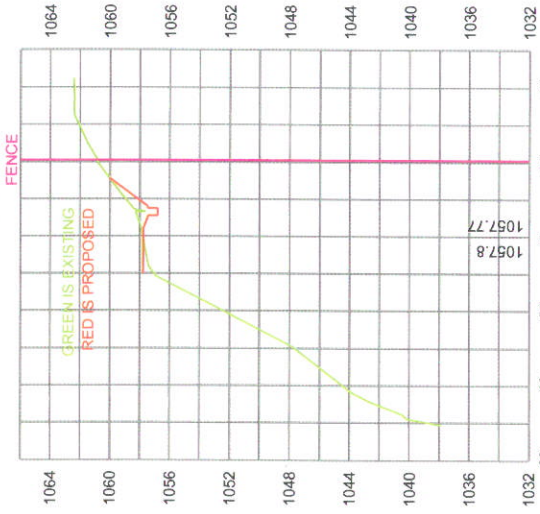


LITTLE PAPIO CHANNEL DRAINAGE PROJECT
LOCATION MAP

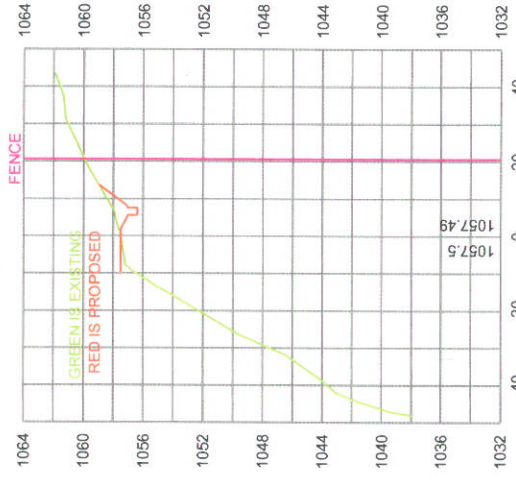


0+00 is the EAST edge of the Trail Looking Upstream

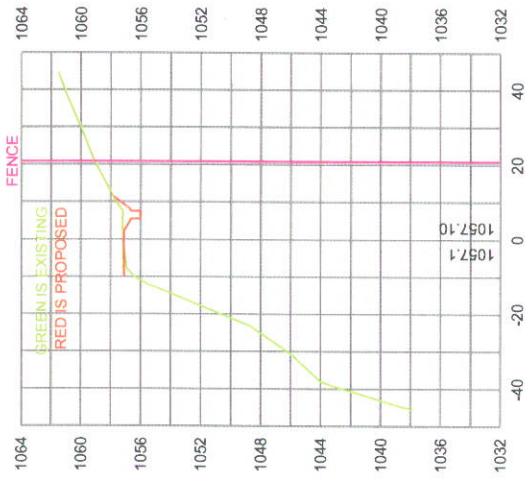
11+50



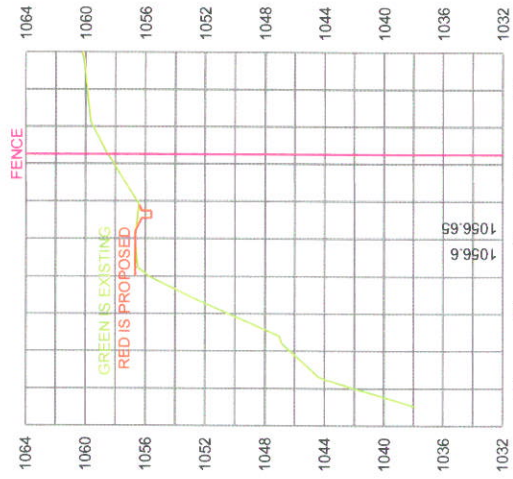
11+00



10+50

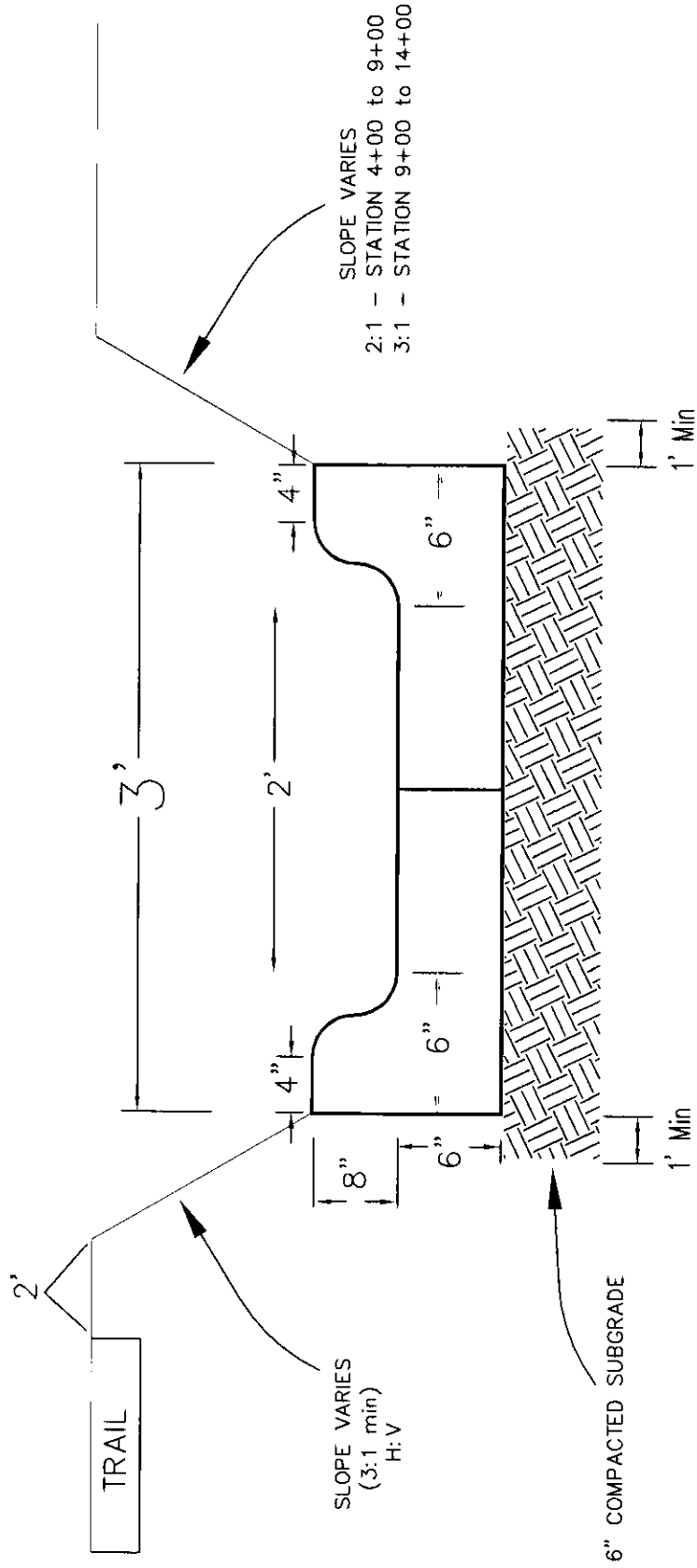


10+00




PAPIO-MISSOURI RIVER NATURAL RESOURCES DISTRICT
 0+00 is the EAST edge of the Trail
 Looking Upstream

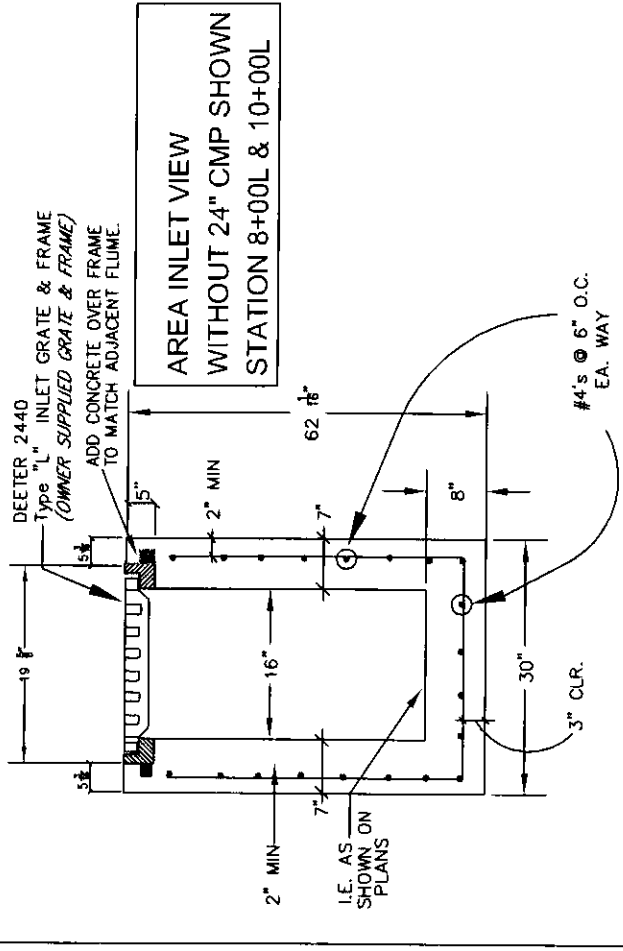
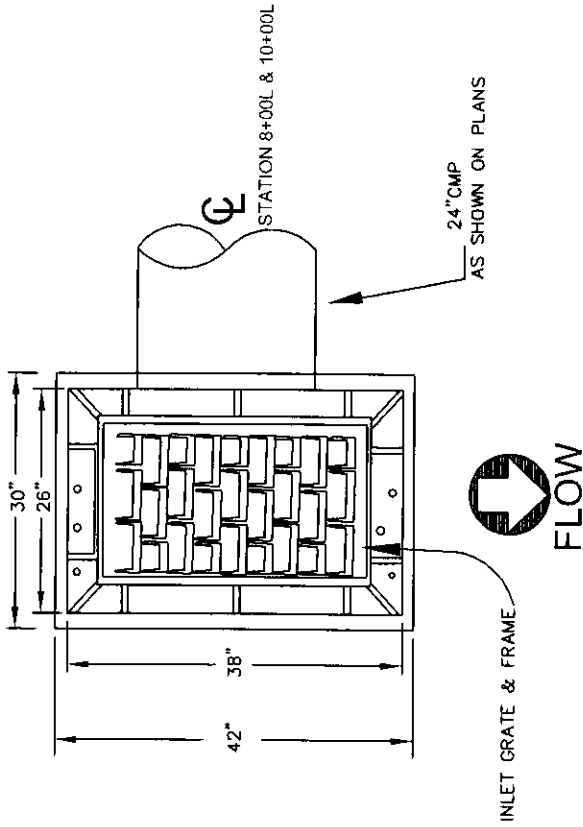
DESIGNED BY: MPC	TITLE
DRAWN BY: MN	LITTLE PAPIO
CHK'D. BY: MPC	UPSTREAM FROM MAPLE ST.
APP'D. BY: MJP	CROSS SECTIONS
	PROJECT NO.: 532
	DATE: 9/28/2006
	SCALE: NO SCALE



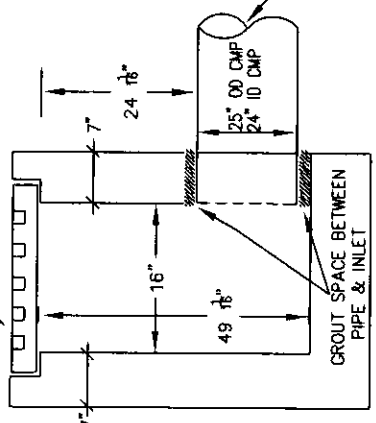
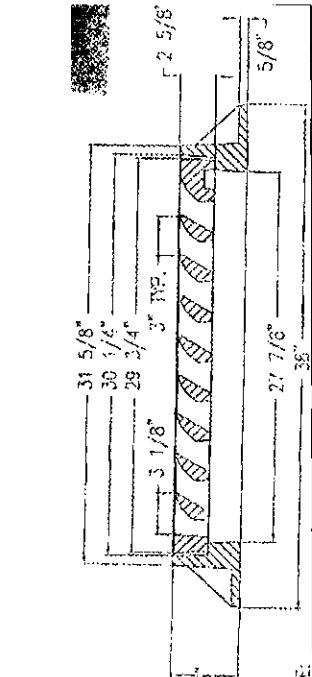
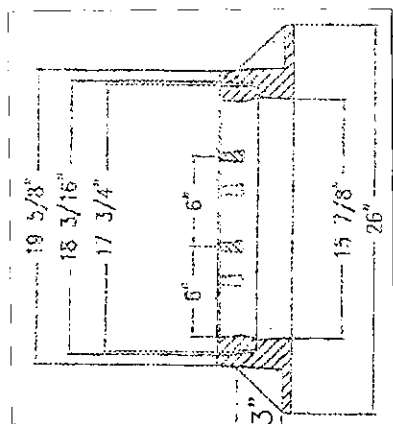
NO SCALE

	TITLE LITTLE PAPIO CONCRETE FLUME DETAIL		PROJECT NO.: 532 DATE: 9/29/00 NO SCALE
	DESIGNED BY: MFC DRAWN BY: JAL CHECKED BY: MFC APPROVED BY: MFC	PAPIO-MISSOURI RIVER NATURAL RESOURCES DISTRICT	

AREA INLET TOP VIEW



TOP ELEVATION VARIES AS PER PROFILE



NO SCALE	PAPIO-MISSOURI RIVER NATURAL RESOURCES DISTRICT	DESIGNED BY: MFC	PROJECT NO.: 532
		DRAWN BY: JAL	DATE: 9/29/00
		CHECKED BY: MFC	NO SCALE
		APPROVED BY: MFC	SHEET NO. 6 OF 11